

Espera

2:0

for quality control



ESPERA **NOVA** ES-X

The compact sorting system – modular, flexible, fast

PRODUCT SORTING MADE EASY

FLEXIBLE APPLICATION IN FRESH FOOD PRODUCTION



ESPERA NOVA ES-X

Sorting out defective products is indispensable for production companies in the food industry. The ES-X sorting system in combination with ESPERA labeling systems, checkweighers, inspection systems or metal detectors is the perfect combination for smooth quality assurance.

Use the ES-X, for example, for sorting underweight or overweight products in checkweigher mode or for sorting by weight ranges.

Rejected products are automatically eliminated from the production total via the software.

Flipper rejector for fast and precise sorting with individual adjustment of the sorting force

Ideal complement to the ES-R



Hygienic stainless-steel design

Lockable collection box

Bin full level sensor inclusive

Single and double version of the collection box

Easy height adjustment

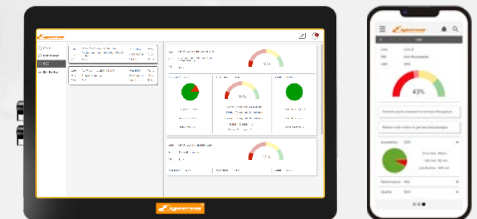
Collection box available in plastic version

SMART TECHNOLOGY

We adapt to your production and not vice versa!

Think4Industry

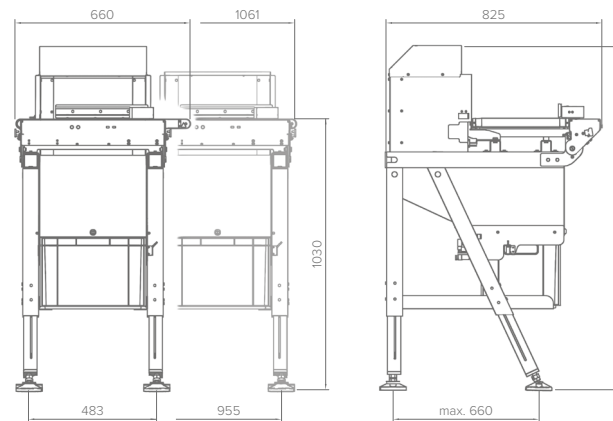
Monitor your production process in real time with the Think4Industry digital platform. The machine status, order parameters as well as production parameters are visualized in real time. For example, the process values for the sorting system ES-X in combination with upstream and downstream machines along the entire production line.



Protect+

The hygienic and stainless-steel design allows easy cleaning and protects against corrosion and wear.

ES-X single & double version



Package size max. (L x W x H)	365 x 185 x 120 mm
Package size min. (L x W x H)	80 x 40 x 7 mm
Max. package weight:	3 kg
Throughput	110 ppm/min
Packing speed	24 – 78 m/min
Mains voltage	190V – 250 V / 50 – 60 Hz
Operating temperature	-10°C to 40°C
Protection class	IP 35
Compressed air	4,5 bar
Noise emission	78 dB(A)
ES-X total measurements:	
Single version:	825 x 660 x 1295 mm
Double version:	825 x 1061 x 1295 mm
ES-X total measurements:	
Single version:	ca. 75 kg*
Double version:	ca. 115 kg*

* depending on the machine configuration

All specified values are maximum values

ONE STEP AHEAD.

ESPERA-WERKE GMBH

Moltkestraße 17 – 33
47058 Duisburg
Deutschland

Phone: +49 203 30 54-0
Fax: +49 203 30 54-275
E-Mail: info@espera.com

www.espera.com

